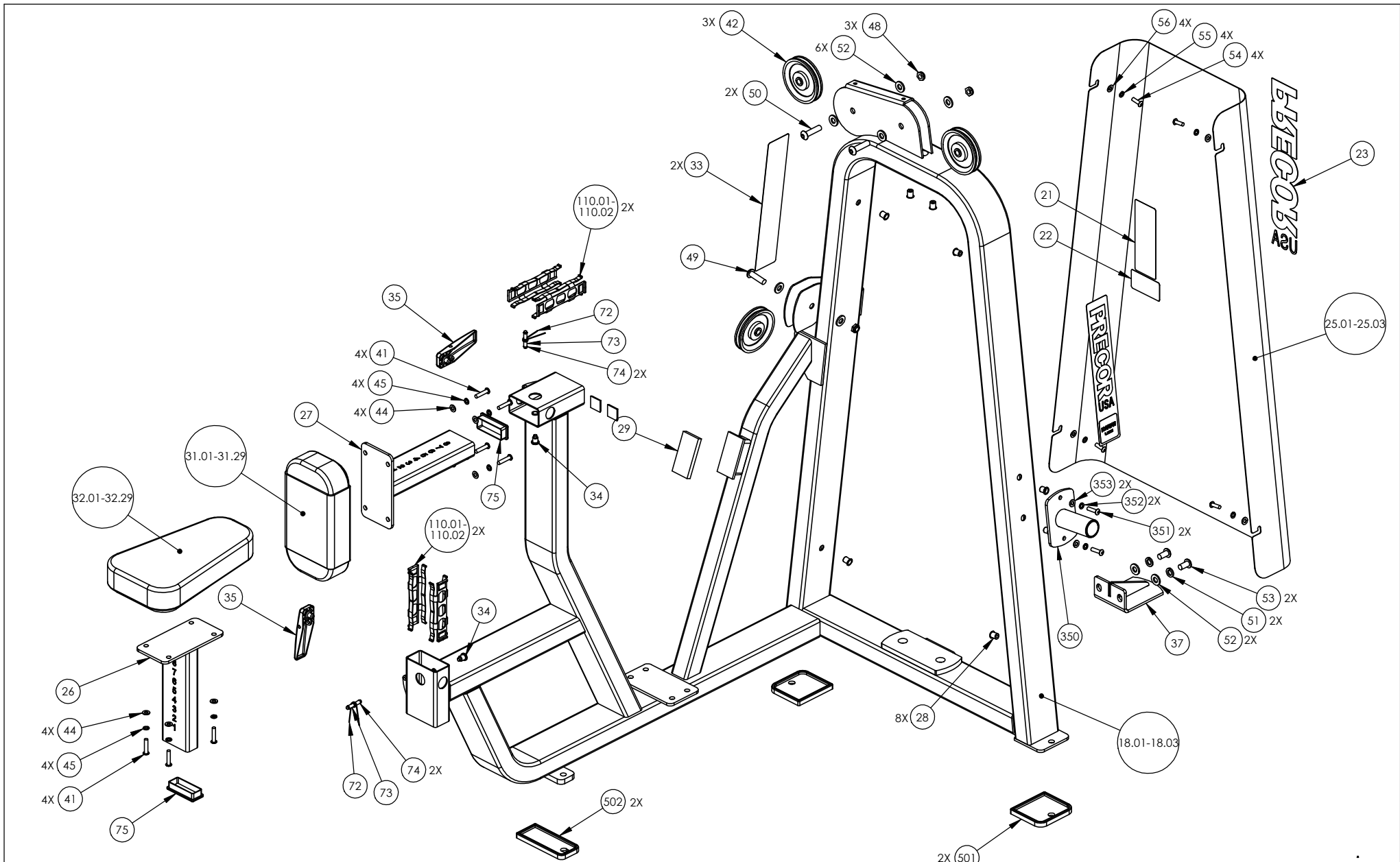
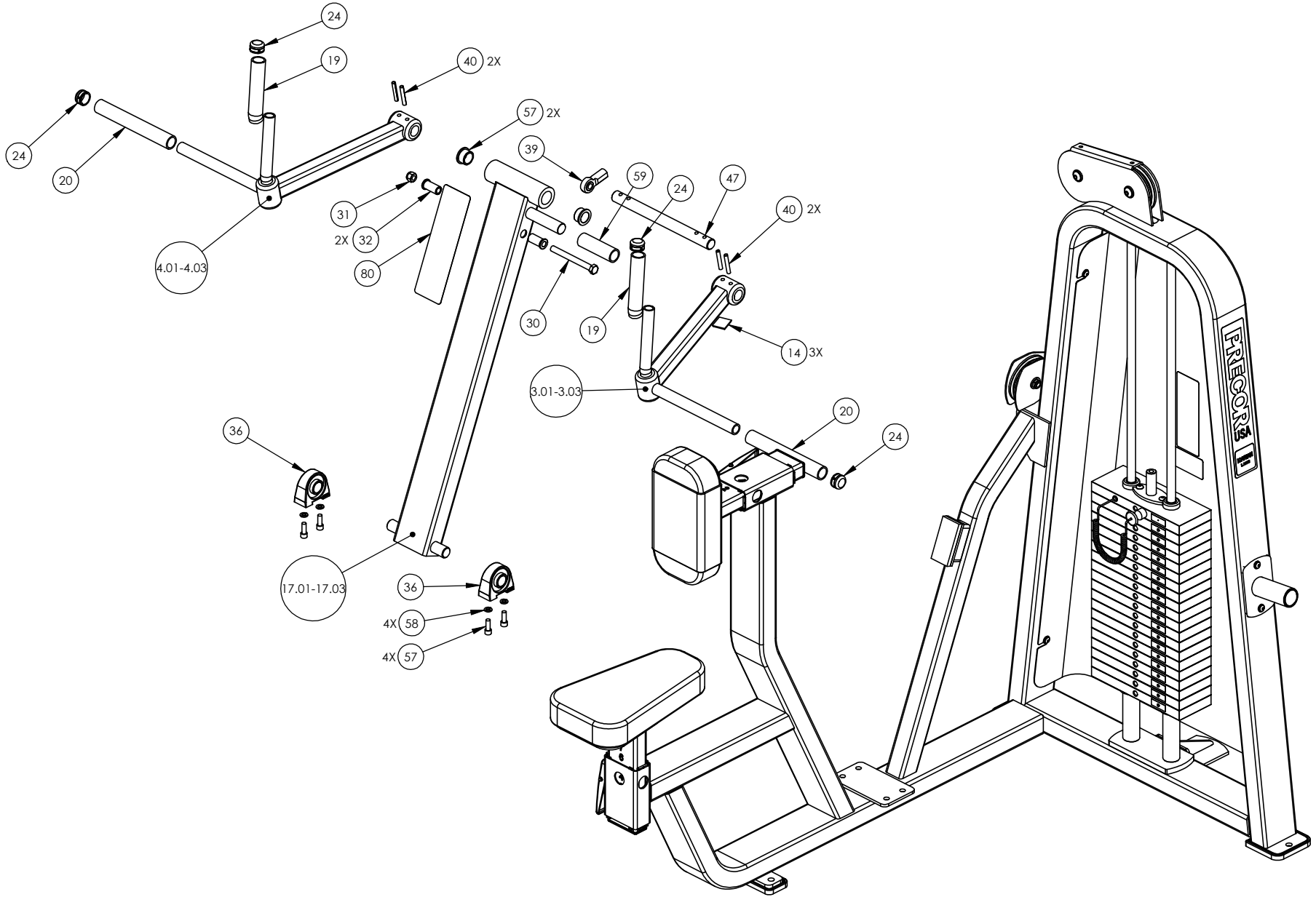


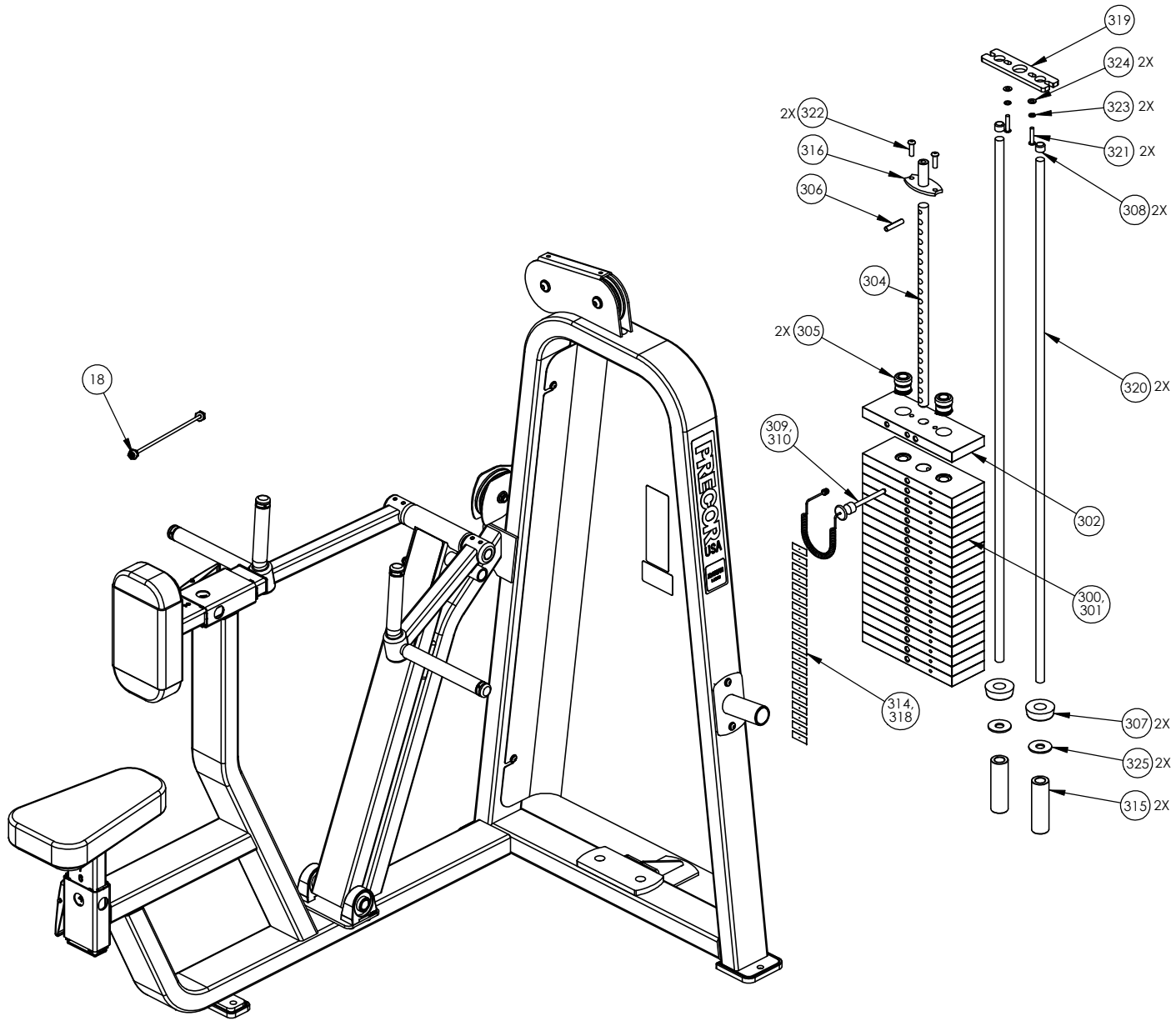
| | | |
|---------------|------------------|--------------|
| CW309KS | P/N: CW32848-101 | SUBREV: B |
| DRAWN BY: VLE | DATE: 05.11.09 | SHEET 1 OF 4 |



| | | |
|---------------|------------------|--------------|
| CW309KS | P/N: CW32848-101 | SUBREV: B |
| DRAWN BY: VLE | DATE: 05.11.09 | SHEET 2 OF 4 |



| | | |
|---------------|------------------|--------------|
| CW309KS | P/N: CW32848-101 | SUBREV: B |
| DRAWN BY: VLE | DATE: 05.11.09 | SHEET 3 OF 4 |



| | | |
|---------------|------------------|--------------|
| CW309KS | P/N: CW32848-101 | SUBREV: B |
| DRAWN BY: VLE | DATE: 05.11.09 | SHEET 4 OF 4 |

309KS Vertical Row

| Part Number | Description | Bubble Number |
|-----------------------|-------------------------------------|---------------|
| CW309SA3-211 | ASSY, ARM, RIGHT, 309,SKY WHITE | 3.01 |
| CW309SA3-321 | ASSY, ARM, RIGHT, 309,TITANIUM HG | 3.03 |
| CW309SA4-211 | ASSY, ARM, LEFT, 309,SKY WHITE | 4.01 |
| CW309SA4-321 | ASSY, ARM, LEFT, 309,TITANIUM HG | 4.03 |
| CW12575-101 | MOULDED BUMPON, BLACK, 31.75MM SQ (| 14 |
| CW33196-211 | ASSY, PIVOT ARM, CW309KS, SKY WHITE | 17.01 |
| CW33196-301 | ASSY, PIVOT ARM, CW309KS, CUSTOM | 17.02 |
| CW33196-321 | ASSY, PIVOT ARM, CW309KS, TITANIUM, | 17.03 |
| CWCLGP074-500 | ASSY, CABLE, CW309KS | 18 |
| CW32807-301 | WELDMENT, FRAME, MAIN, CW309KS, CUS | 18.02 |
| CW32807-321 | WELDMENT, FRAME, MAIN, CW309KS, TIT | 18.03 |
| CWGR2605-030 | GRIP,RUBBER, 1" DIA, 5-1/32" | 19 |
| CWGR2609-000 | GRIP,RUBBER, 1" DIA, 9" | 20 |
| CW30010-102 | LABEL,WARNING STRENGTH | 21 |
| CW30011-102 | LABEL,WARNING WEIGHT STACK | 22 |
| CWAC218-901 | HANDLE END CAP W/SET SCREWS, DIA 1" | 24 |
| CW32535-711 | ASSEMBLY, SEAT ADJUSTMENT, 8 HOLE, | 26 |
| CW32211-711 | ASSEMBLY, BACKPAD ADJUSTMENT, 8 HOL | 27 |
| CW12537-109 | NUT,INSERT,THIN-NUT,LARGE FLANGE | 28 |
| CW30014-205 | CUT PIECE, CREPE, 3/8 THICK, 2.00 X | 29 |
| CWPD1207A-101 | PAD,5X9X14.5,4HOLES,BLACK | 32.01 |
| CW31756-101 | LABEL, PRECOR USA ICARIAN LINE | 33 |
| CW31784-731 | STOP PLUG, BLK ZN | 34 |
| CW32460-221 | ASSY, RATCHETING LEVER, BLACK | 35 |
| CW12406-101 | PILLOW BLOCK, BEARING, 2 BOLT | 36 |
| CW33286-731 | WELDMENT, STABILITY FOOT,BLACK ZINC | 37 |
| CWCLFA1064-741 | ROD END, FEMALE, STEEL, ZINC, CAD, | 39 |
| CWLDNN031-200 | SLOTTED PIN SPRING, DIA 5/16 X 2.00 | 40 |
| CWTAYN031-150 | SCREW, BUTTON HEAD, BLK XYLAN, 5/16 | 41 |
| CWAC1009-101 | PULLEY, 4 1/2 DIA X 1/2 ID | 42 |
| CWWBKN031-007 | WASHER, FLAT, TYPE A, SAE, 5/16 ID | 44 |
| CWWALYN031-008 | WASHER, SPLIT, 5/16 ID, BL | 45 |
| CWKAYN050-031 | LOCKNUT, NYLON INSERT, HALF, UNC, 1 | 48 |
| CWTAYN050-175 | SCREW, BUTTON HEAD, BLK XYLAN, 1/2 | 49 |
| CWTAYN050-200 | SCREW, BUTTON HEAD, BLK XYLAN, 1/2 | 50 |
| CWWALYN050-013 | WASHER, SPLIT, 1/2 ID, BLK XYLAN | 51 |
| CWWBKN050-010 | WASHER, FLAT, TYPE A, SAE, 1/2 ID X | 52 |
| CWTAYN050-100 | SCREW, BUTTON HEAD, BLK XYLAN, 1/2 | 53 |
| CWTAYN031-100 | SCREW, BUTTON HEAD, BLK XYLAN, 5/16 | 54 |
| CWWALYN031-008 | WASHER, SPLIT, 5/16 ID, BL | 55 |
| CWWBKN031-007 | WASHER, FLAT, TYPE A, SAE, 5/16 ID | 56 |
| CW10433-110 | BUSHING,FLNGD,1.25ODX1IDX.75,IGUS R | 57 |
| CWCAYN038-100 | SCREW, SOCKET HEAD, BLK XYLAN, 3/ | 57 |
| CWWALYN038-009 | WASHER, SPLIT, 3/8 ID, BLK XYLAN | 58 |
| CWGR4604-000 | GRIP, RUBBER, 1.00" OD HANDLE, 4.00 | 59 |
| CW12634-101 | SPRING, TORSION 90 DEG X 0.484 X 0. | 72 |
| CW31770-742 | LATCH PIVOTING PIN, CLR ZN | 73 |
| CWAMNN028-003 | RING, RETAINING, 2-TURN, SPIRAL, SS | 74 |

| | | |
|----------------|-------------------------------------|--------|
| CW30031-101 | LABEL,INSTRUCTION,309 | 80 |
| CW33626-901 | GUIDE, THIN, TELESCOPING TUBE | 110.01 |
| CW33626-902 | GUIDE, THCK, TELESCOPING TUBE | 110.02 |
| CWAC1133-101 | BUSHING, WEIGHT PLATE, LDPE PLASTIC | 203 |
| CW30171-742 | PIN, WEIGHT STACK, 6.00 INCHES, ZN | 226 |
| CW10519-721 | PLATE, WEIGHT, 20 LBS, WRKL BLK | 279 |
| CW10510-721 | ASSY, PLATE, WEIGHT, 10 LBS, WRKL B | 300 |
| CW10520-721 | ASSY, PLATE, WEIGHT, 20 LBS, WRKL B | 301 |
| CW30132-712 | SELECTOR STEM, 20 PLATE,0.875 DIA, | 304 |
| CW30184-902 | ASSY,BARREL, TOP PLATE,ALUMINUM | 305 |
| CWLDNN038-200 | SLOTTED PIN SPRING, DIA 3/8 X 2 | 306 |
| CW12402-101 | BUMPER, ID 1.050, BLK RUBBER | 307 |
| CW12404-101 | CAP, GUIDE ROD,DIA 3/4, BLK | 308 |
| CW33870-102 | ASSEMBLY, 5" WEIGHT STACK PIN & LEA | 310 |
| CW32936-101 | WEIGHT STACK LABELS, 10-200, STRAIG | 314 |
| CW33323-721 | STACK RISER, 5 INCH, WRINKLE BLACK | 315 |
| CW32663-741 | WELDMENT, BOLT ON TOP PLATE MINI ST | 316 |
| CW32938-101 | WEIGHT STACK LABELS, 10-300, STAGGE | 318 |
| CWPF1016-732 | BAR,,FLAT CR/HR, 3/8 X 2 X 8 1/4, 3 | 319 |
| CWPF1214-711 | GUIDE ROD,STEEL,OD 3/4 X 52 5/8, CH | 320 |
| CWTAYN031-150 | SCREW, BUTTON HEAD, BLK XYLAN, 5/16 | 321 |
| CWTAYN038-125 | SCREW, BUTTON HEAD, BLK XYLAN, 3/8 | 322 |
| CWWALYN031-008 | WASHER, SPLIT, 5/16 ID, BL | 323 |
| CWWBKN031-007 | WASHER, FLAT, TYPE A, SAE, 5/16 ID | 324 |
| CWWCKN075-015 | WASHER, FLAT, TYPE A, WIDE, 3/4 ID | 325 |
| CW32938-101 | WEIGHT STACK LABELS, 10-300, STAGGE | 333 |
| CW31772-741 | ASSY, ADD-ON WEIGHT HORN, CLEAR ZIN | 350 |
| CWAC1177-101 | FLOOR PROTECTOR, RUBBER, 4.563 X 4. | 501 |
| CWAC1178-101 | FLOOR PROTECTOR, RUBBER, 2.563 X 6. | 502 |
| CW58004-101 | WEIGHT STACK BUSHING KIT, KS SERIES | 600 |
| CW32537-102 | LITERATURE KIT, GSM ONLY | 999 |